

OPERATION AND MAINTENANCE MANUAL

ATC-03CF

NSN: 6520-01-446-6263



Aseptico

P/N 420271
Rev. C
ECO 15499
04/2022

P.O. Box 1548 • Woodinville, WA 98072-1548
1-800-426-5913 • 425-487-3157 • Fax: 360-668-8722
email: info@aseptico.com • Internet: www.aseptico.com

Aseptico

P.O. Box 1548 • Woodinville, WA 98072-1548
1-800-426-5913 • 425-487-3157 • Fax: 360-668-8722
email: info@aseptico.com • Internet: www.aseptico.com

TABLE OF CONTENTS

Introduction3
 Purpose3
 Performance Characteristics3
 Items Furnished3
Operation Instructions4
 Set-Up4
Parts List4
Parts Diagram5
Warranty7

TABLE OF ILLUSTRATIONS

Figure 1 - Parts Diagram5

WARRANTY

Aseptico Inc. warrants its new products against defects in material and workmanship under normal and proper use, care, and maintenance for a period of two (2) years from date of original invoice. This two (2) year warranty does NOT apply nor is it extended to products that are not manufactured by Aseptico. These products may be covered by a separate limited warranty provided by the particular manufacturer, and all claims and questions regarding the same are to be directed to the particular manufacturer.

Expendable components, such as batteries, fuses, light bulbs, and tubing sets installed on Aseptico products are specifically excluded and have no warranty. Consumable goods are warranted for the stated expiration date of such goods.

Repair or replacement of any product(s) or part(s) under this warranty does not extend the term of this warranty, and such product(s) or part(s) shall remain covered by the unexpired portion of the warranty period, or for ninety (90) days from the date of return to Aseptico, whichever is later. This limited warranty applies only to the initial or first installation of the product or part.

During the specific warranty periods set forth above, Aseptico will, at its option, repair or replace the product(s) or particular part(s) that are found to be defective in either material or workmanship in part or whole. Aseptico shall be the sole arbiter of such action. In the event of alleged defect under warranty, the purchaser is to notify Aseptico's Customer Service department promptly. Customer Service will provide Return Material Authorization (RMA) instructions, usually directing that the product be returned for service, shipping prepaid by the buyer or end user, to Aseptico or its designated and authorized warranty service center.

This warranty shall not apply to products (1) that have been subjected to neglect, abuse, misuse, improper installation, inadequate maintenance, or damage due to improper use of cleaning materials or chemicals, or non-compliance with Aseptico's storage, installation, operation, maintenance or environmental requirements; (2) that have undergone any modification or repair not previously authorized by Aseptico in writing, or service, repair or modification by or from any facility other than an authorized Aseptico service center or technician, or that use non-authorized software or spare or replacement parts; or (3) that fail due to reasonable and normal use or wear and tear, or materials made, furnished or specified by the buyer or end user.

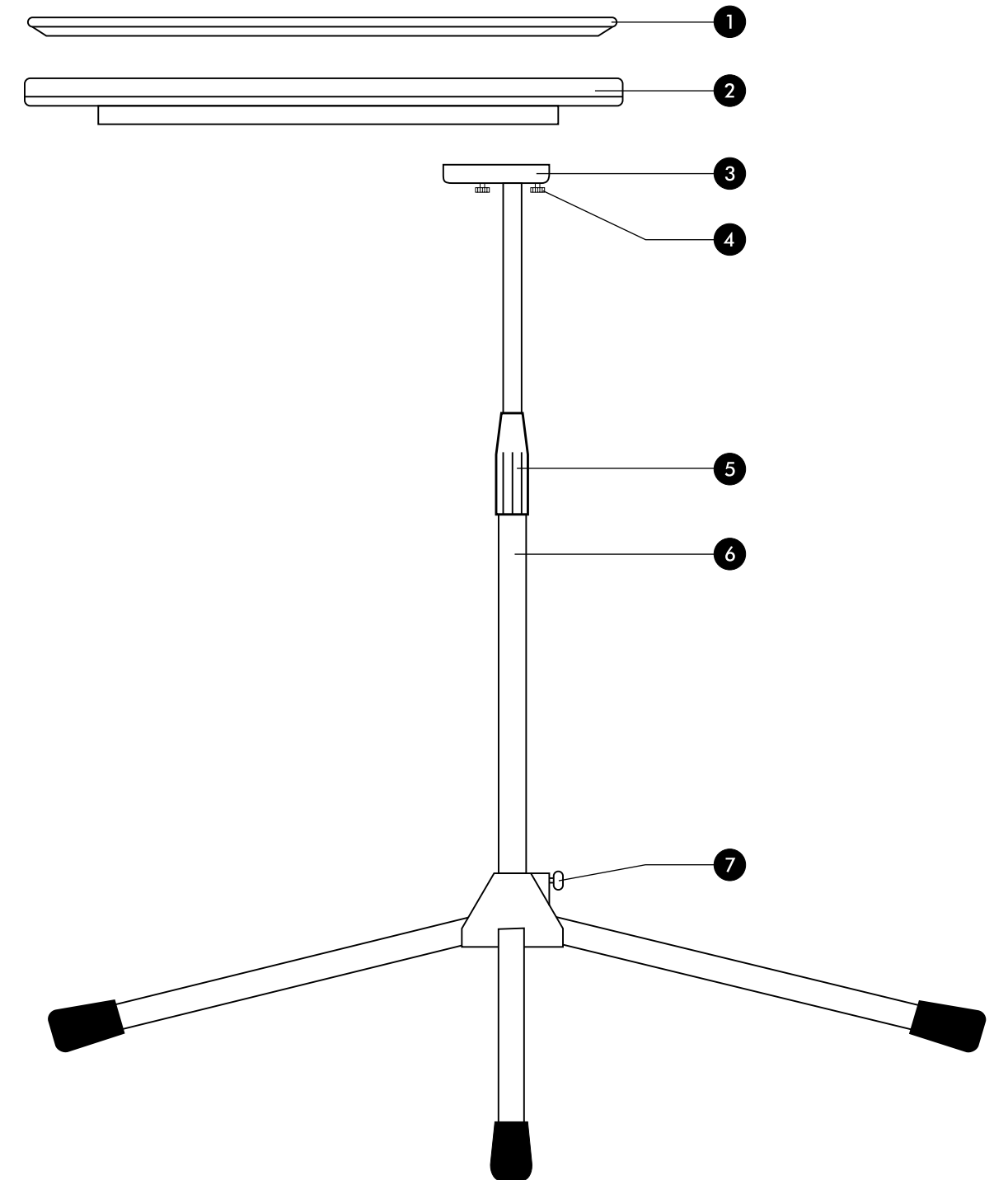
Aseptico does not assume under this warranty any risks or liabilities arising from the clinical use of its products, whether or not such use involves coincidental utilization of products manufactured by others. Under no circumstances will Aseptico be liable or responsible for special, compensatory, incidental, consequential or punitive damages, lost profits, lost sales, or loss of use or loss of business opportunity by or through the use of the product. Aseptico's sole and maximum liability with respect to the product, other than its obligations set forth above, shall be the total purchase price paid for the product.

SET-UP:

1. Remove tray & stand from carrying cases. Unfold tripod legs, slide to the base of the center column, and secure with thumbscrew. Set on floor.
2. Line-up mounting holes on the far end of the molded tray support with the mounting block and thumbscrews on the telescoping center column. Tighten thumb-screws to secure molded tray support to center column.
3. Place stainless steel tray on top of molded tray support. Turn telescoping center column adjustment counterclockwise to loosen, set column to desired height, then turn clockwise to secure.

PARTS LIST

	Item	Part Number	Quantity
1	Stainless Steel Tray	AA-50	1
2	Molded Tray Support	460104	1
3	Mounting Block	460692-08	1
4	Thumbscrews	510372	2
5	Telescoping Tripod Stand	730252-08	1
6	Center Column Adjustment	-----	1
7	Thumbscrew	-----	1
Not Shown	Storage Pouch, Tray	460796	1
Not Shown	Storage Pouch, Tripod Stand	460797	1



**Aseptico ATC-03CF
Command Air Portable Tray Stand**

Figure 1 - Parts Diagram