

OPERATION INSTRUCTION MANUAL

ADU-07 ECONO AIR SYSTEM



 **Aseptic**

Your new Aseptico ADU-07 Econo Air System is one of the finest handpiece control systems available to the professional. This economical system provides dental operatories, hygienists' rooms or satellite offices with two manually activated handpiece controls.

Congratulations!

This system is engineered to provide many years of reliable service. Please read the instructions provided in this manual to receive the best and longest service from your Aseptico equipment.

INSTALLATION:

Before you install your ADU-07 unit, locate a suitable mounting surface that has access to a clean, filtered air and water supply.

1. Remove the chassis back from the front by unscrewing the 6-32 x 1/4 holding screws.
2. Use the mounting holes on the back of the chassis as a marking template and secure the chassis back to a flat vertical surface. Then reattach the front of chassis to the mounted back. (Fig. 1)

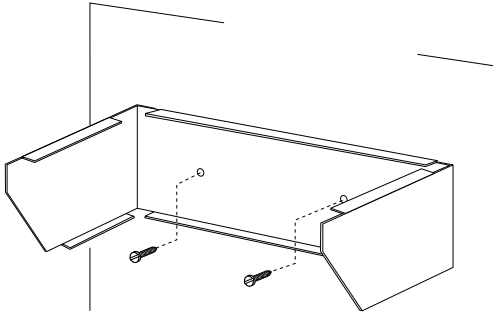


Figure 1 - Chassis Mounting

3. Locate the 1/4" grey air supply line and the blue water supply line exiting from beneath the ADU-07 console. Connect the grey air supply line to a clean regulated 60-90 PSI compressed air supply. Connect the blue water supply line to a clean regulated water source such as the tap water supply or a remote self-contained water system. (Fig. 2).

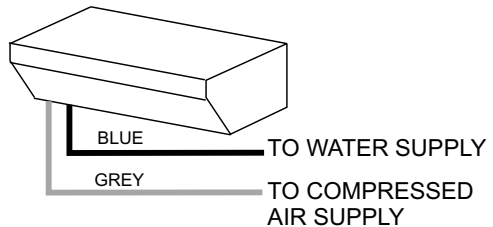


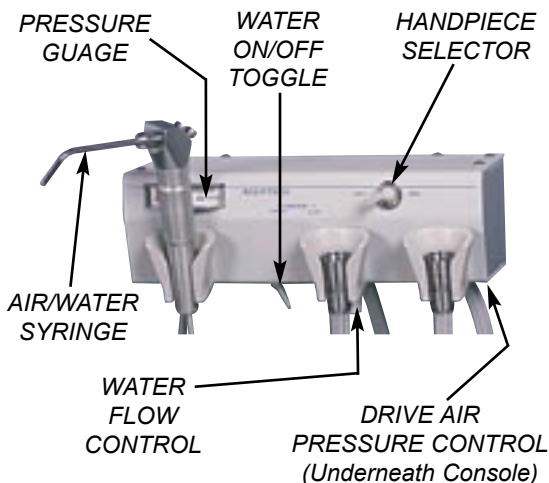
Figure 2 - Water & Air Connections

OPERATION FUNCTIONS:

(See Figure 3)

1. **Handpiece Selector** - Selects highspeed (HP1) or lowspeed (HP2) handpiece operation.
2. **Water On/Off Toggle** - Controls on/off flow of water coolant to the highspeed handpiece.
3. **Water Flow Control** - Adjusts water coolant flow to the highspeed handpiece.
4. **Pressure Gauge** - Provides visual indication of drive air pressure for the handpiece in use.
5. **Drive Air Pressure Control** - Adjusts drive air pressure to the highspeed and lowspeed handpieces.
6. **Foot Control** (*not shown*) - Controls drive air pressure to the active handpiece. Apply light foot pressure to any part of the foot control cover.
7. **Air/Water Syringe** - Delivers air, water, or a combination mist. Supplied with autoclavable tips.

Figure 3 - Console



UNIT OPERATION:

1. **Handpieces** (*sold separately*) - Connect the proper highspeed and lowspeed handpieces to their appropriate connector. Switch the handpiece selector toggle to the desired handpiece. Depress foot control for operation.
2. **3-Way Air/Water Syringe** - Depress the right button for air operation, and the left button for water operation. Depressing both buttons will create a mist. The syringe features quick-change autoclavable tips: To remove a tip, press on the locking ring surrounding the tip socket and pull the used tip straight out of the socket (Fig. 4). To insert a new tip, press locking ring and push tip into socket as far as it will go. Release ring and gently tug on tip before using to ensure that tip is securely locked into socket.

Syringe Tip Sterilization:

- 1) Remove contaminated syringe tip.
- 2) Remove all visible signs of contamination before autoclaving.
- 3) Autoclave tip at 132° C (270° F) for ten minutes.
- 4) Sterilize between each patient use.

NOTE: Since only the tips can be autoclaved, it is recommended that the air/water syringe be bagged with a disposable, single-use plastic sleeve between each patient use.



WARRANTY:

Aseptico Inc. warrants its new products against defects in material and workmanship under normal and proper use, care, and maintenance for a period of two (2) years from date of original invoice. This two (2) year warranty does NOT apply nor is it extended to products that are not manufactured by Aseptico. These products may be covered by a separate limited warranty provided by the particular manufacturer, and all claims and questions regarding the same are to be directed to the particular manufacturer.

Expendable components, such as batteries, fuses, light bulbs, and tubing sets installed on Aseptico products are specifically excluded and have no warranty. Consumable goods are warranted for the stated expiration date of such goods.

Repair or replacement of any product(s) or part(s) under this warranty does not extend the term of this warranty, and such product(s) or part(s) shall remain covered by the unexpired portion of the warranty period, or for ninety (90) days from the date of return to Aseptico, whichever is later. This limited warranty applies only to the initial or first installation of the product or part.

During the specific warranty periods set forth above, Aseptico will, at its option, repair or replace the product(s) or particular part(s) that are found to be defective in either material or workmanship in part or whole. Aseptico shall be the sole arbiter of such action. In the event of alleged defect under warranty, the purchaser is to notify Aseptico's Customer Service department promptly. Customer Service will provide Return Material Authorization (RMA) instructions, usually directing that the product be returned for service, shipping prepaid by the buyer or end user, to Aseptico or its designated and authorized warranty service center.

This warranty shall not apply to products (1) that have been subjected to neglect, abuse, misuse, improper installation, inadequate maintenance, or damage due to improper use of cleaning materials or chemicals, or non-compliance with Aseptico's storage, installation, operation, maintenance or environmental requirements; (2) that have undergone any modification or repair not previously authorized by Aseptico in writing, or service, repair or modification by or from any facility other than an authorized Aseptico service center or technician, or that use non-authorized software or spare or replacement parts; or (3) that fail due to reasonable and normal use or wear and tear, or materials made, furnished or specified by the buyer or end user.

Aseptico does not assume under this warranty any risks or liabilities arising from the clinical use of its products, whether or not such use involves coincidental utilization of products manufactured by others. Under no circumstances will Aseptico be liable or responsible for special, compensatory, incidental, consequential or punitive damages, lost profits, lost sales, or loss of use or loss of business opportunity by or through the use of the product. Aseptico's sole and maximum liability with respect to the product, other than its obligations set forth above, shall be the total purchase price paid for the product.

P/N: 420423
Rev. E
ECO: 15499
04/2022

PRINTED IN THE U.S.A.



P.O. Box 1548 Woodinville, WA 98072
8333 216th Street SE Woodinville, WA 98072
(425) 487-3157 (800) 426-5913
www.aseptico.com • info@aseptico.com

Manufacturer



Aseptico Inc.
8333 216 St SE
Woodinville,
WA, 98072 USA