

OPERATION AND MAINTENANCE INSTRUCTION MANUAL

AA-74 AIRPAC COMPRESSOR - 120 VOLT -



Aseptico®

TABLE OF CONTENTS:

Introduction1
Package Contents1
Operation2
- Figure 1 - Case Contents3
- Figure 2 - Case - Top View3
Maintenance4
- Figure 3 - Draining the Tank4
- Figure 4 - Replacing the Filter4
Rules for Safe Operation5
Specifications6
Symbol Definitions7
Notes8
WarrantyBack Cover

To prevent injury to people and damage to property, please heed relevant warnings and remarks. They are marked as follows:

WARNING: Serious injury or death may result if ignored.

CAUTION: Damage to property or the environment may result if ignored.

NOTE: Important additional information and hints.

		ISO 13485
COMPLIES WITH <i>DIRECTIVE 93/42/EEC</i> CONCERNING MEDICAL DEVICES		



P.O. Box 1548, Woodinville, WA 98072
8333 216th Street S.E. Woodinville, WA 98072
International (425) 487-3157 • Toll Free(800) 426-5913
www.aseptico.com • info@aseptico.com

Your new Aseptico AA-74 AirPac Compressor is one of the finest oilless 3/4 horsepower air compressors available to the professional. Performance in tandem with portability make the AA-74 AirPac the ideal choice. The compressor is secured in its own carrying case and includes an air storage tank and an automatic pressure switch control.

Congratulations

This system is engineered to provide many years of reliable service. Please read the instructions provided in this manual to receive the best and longest service from your Aseptico equipment.

Separate manuals may be provided to cover the operation and maintenance of other accessories for your unit.

PACKAGE CONTENTS:

- AA-74 AirPac Compressor Unit
- Air Intake Filter
- AC Power Cord

OPERATION:

After unpacking the compressor, open the case and locate the remote power cord and air intake filter inside (see Figure 1). Screw the air intake filter into the 1/4" NPT hole in the top of the compressor head assembly. Plug the power cord into the receptacle on the outside end of the case (see Figure 2) and then into a grounded power outlet. The AA-74 compressor is operated by an AUTO/OFF lever on the top side of the pressure switch inside the compressor case. By turning the lever to the 'AUTO' position, the compressor will start and stop automatically to maintain pressure. The pressure switch is factory adjusted to properly start and stop. To turn the compressor off, turn the lever to the 'OFF' position.

1. After plugging the compressor in and turning on, close the lid for operation. Let the compressor run until it stops, indicating full pressure.
2. Locate the air output 1/4" quick disconnect and pressure gauge on the end of the compressor case (see Figure 2). Connect a 1/4" male coupling from your equipment to the air output fitting. The pressure gauge indicates pressure in the air storage tanks and gives a visual indication that the compressor is maintaining pressure properly.
3. The AA-74 compressor will cycle on and off as air is consumed during use. This is normal for operation. Turn compressor off if not used for extended periods of time.

IMPORTANT:

If the electric power is interrupted by a power failure, unplugging the power cord, or by any other means, while the compressor is running, turn the AUTO/OFF lever to 'OFF' and then back to 'AUTO' to relieve back pressure and restart the compressor. If the power is interrupted, follow these steps immediately to prevent any motor damage.

Figure 1 - Case Contents

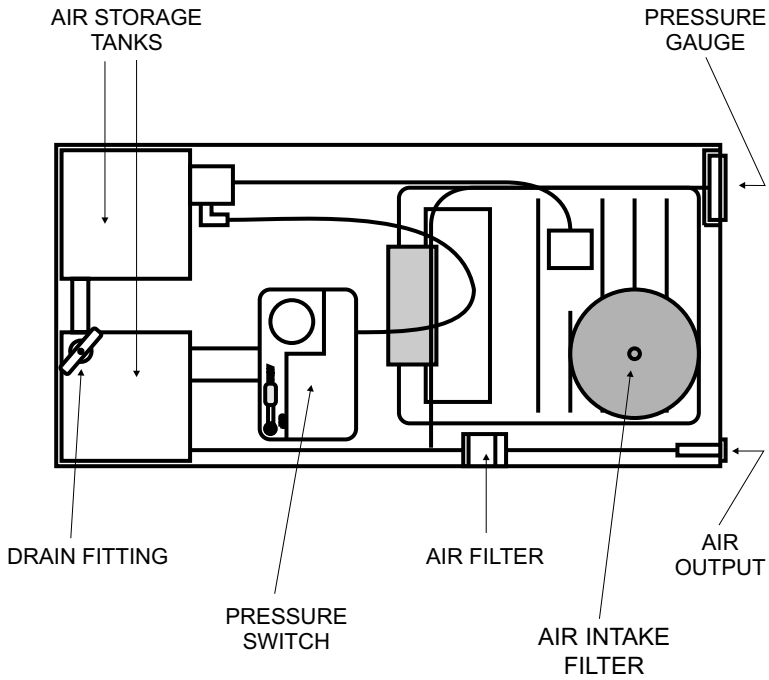
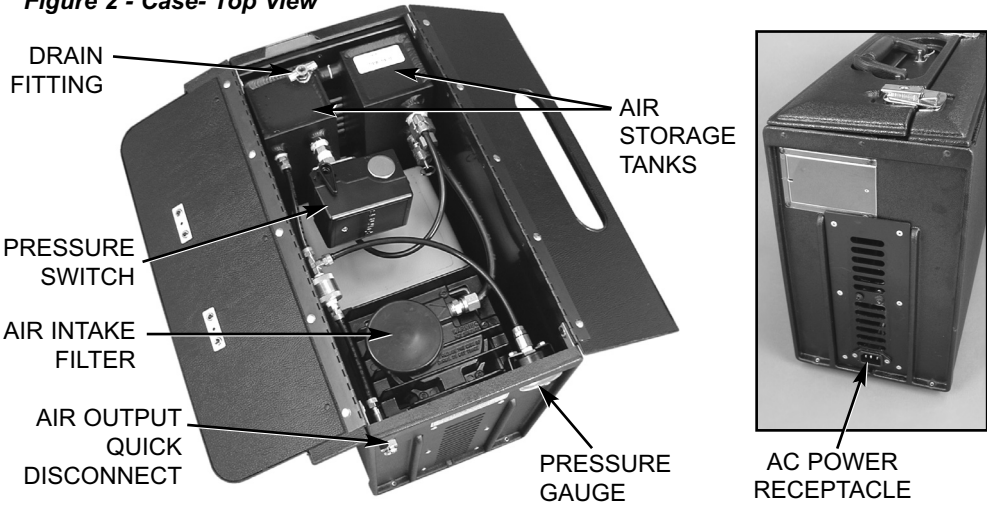


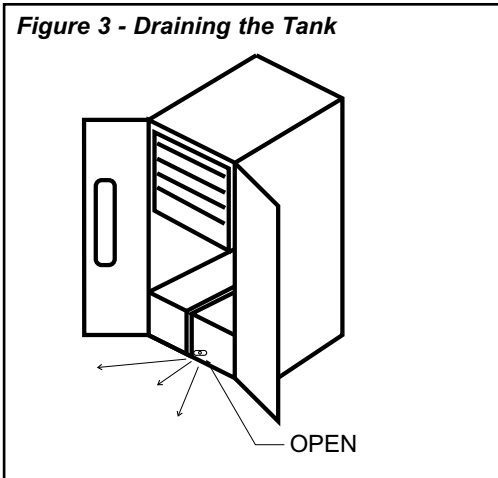
Figure 2 - Case- Top View



MAINTENANCE:

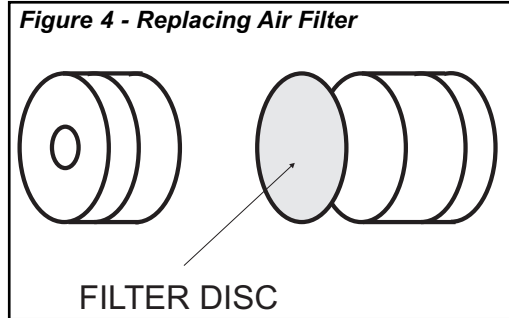
AIR STORAGE TANK- To avoid the risk of moisture in the air lines or tank failure, drain the tank after every use or every four hours of running time to prevent condensation build-up and corrosion inside the tanks. To drain tank, allow the compressor to fully pressurize and then turn AUTO/OFF lever to the off position. Remove power cord from the receptacle on the end of the compressor case, then turn the compressor on end with the tanks in the lowest position (see Figure 3). Carefully and quickly turn and open drain fitting. Tip unit toward drain and allow water to drain out with the air.

Figure 3 - Draining the Tank



AIR FILTER- A dirty air filter will not allow the air compressor to operate at full efficiency. If a decrease in the supply air is noticed, it may be necessary to replace the filter element. The air filter is located inside the case just behind the air output coupling. To replace, disconnect hoses and unscrew the brass cylinder at the mid-section. Remove filter disc and install a new one (see Figure 4).

Figure 4 - Replacing Air Filter



ELECTRICAL- The motor of this compressor has a thermal overload protector. If the motor should overheat, the overload protector will shut off the motor. If this should occur, turn the compressor off immediately and allow the motor to cool. Restart the compressor. If the compressor fails to start, the compressor may need to cool further before attempting to restart. If the overload protector shuts the motor off frequently, you may have a low voltage situation. Low voltage can be suspected when:

1. The motor does not get up to full power or speed.
2. Lights dim when compressor is started.
3. Other motor operated appliances fail to operate properly.
4. Compressor shakes or hesitates when starting.

A primary cause of voltage drop is using an extension cord that is not heavy enough to carry the current the AA-74 compressor draws. An under-size or over-length extension cord will cause a drop in line voltage, resulting in loss of power and overheating. Asepticco does not recommend using an extension cord when powering the AA-74 compressor unit.

RULES FOR SAFE OPERATION:

1. The compressor should be located in a dry, clean, and well ventilated area.
2. This compressor needs no lubrication and should never be oiled. Applying oil to any part could result in polluted air delivery to the air handling equipment.
3. If compressor is run for extended periods of time, open case for more efficient cooling.
4. All compressors generate heat even under normal operating conditions. To avoid serious burns, never touch the compressor during or immediately after operation.
5. When unit is not in use, wrap cord and store inside compressor. Do not abuse cord.
6. Servicing should always be performed by an Authorized Service Center.
7. ALWAYS use a grounded 3-prong plug-in.

SPECIFICATIONS:

Single cylinder, 3/4 hp., Oilless compressor-
100 PSI

Electrical: 110-120 Volt AC, 60 Hz
10.5 Amp, 830 Watts

Displacement: 4.1 CFM (116 LM)

Air Delivery: 2.12 CFM at 100 PSI (60 LM at
689 KPa)
2.62 CFM at 50 PSI (74.2 LM at
345 KPa)

Fuse Requirements: 15 Amps

Amps at Working Pressure: 10.5 Amps






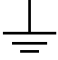
Maximum pressure: 100 PSI

Air Storage Capacity: .75 Gal.

Weight: 31 lbs.

Size: 16.5" x 8" x 14"

SYMBOL DEFINITIONS:

	Type B Equipment		Alternating current
	Attention, consult accompanying documents		Protective earth (ground)
	Dangerous Voltage		Earth (ground)

WARRANTY:

Aseptico warrants this product against defects in material or workmanship for a period of one year, from date of original invoice. Handpieces are warranted for 90 days under the same conditions. Expendable components such as light bulbs, are covered by shorter warranty periods, or have no warranty. Aseptico's sole obligation under product warranty is (at its sole option and discretion) to repair or replace any defective component or product in part or whole. Aseptico shall be the sole arbiter of such action.

In the event of alleged defect under warranty, the purchaser is to notify Aseptico's Customer Service Department promptly. Customer Service will provide instructions, usually directing that the product be returned for service. Shipment to Aseptico and the cost thereof is always the responsibility of the purchaser.

Accidental misuse, inappropriate installation, or failure to perform directed maintenance voids the warranty.

Aseptico does not assume, under this warranty, any risks or liabilities arising from the clinical use of its products, whether or not such use involves coincidental utilization of products manufactured by others.

NOTE: In the interest of serving our customers more efficiently, customers receiving service on non-warranted repairs are expected to accept charges that are less than \$250.00 without further notification.



P.O. Box 1548 • Woodinville, WA 98072
8333 216th Street S.E. • Woodinville, WA 98072
International (425) 487-3157 • Toll Free(800) 426-5913
www.aseptico.com • info@aseptico.com

P/N 420471
Rev. A
04/2005

Printed In The USA